

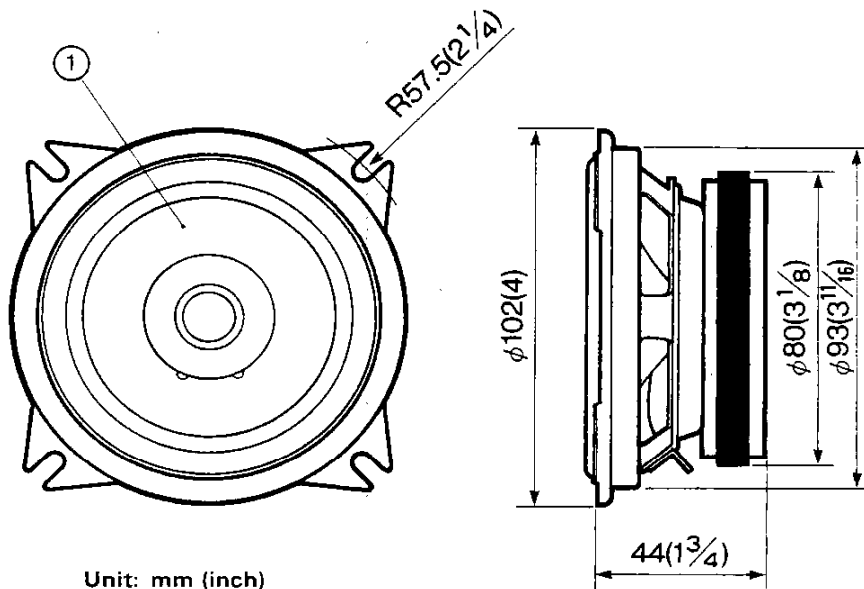
KFC-106D

SERVICE MANUAL

KENWOOD




© 1988-3 PRINTED IN JAPAN
E51-3502-00 (G) 1099

EXTERNAL VIEW



Unit: mm (inch)

PARTS INCLUDED

-  3m (10 ft) × 2
-  $\phi 4 - 20 (\phi 3/16 - 13/16)$ × 8
-  × 8

SPECIFICATIONS

- Speaker 10 cm (4in) Water-resistant cone type 170g (6oz) magnet
- Peak input power 45 Watts
- Sensitivity 90dB/W at 1m
- Impedance 4 ohms
- Weight per speaker 540g (1 lb 3oz)/pc

We follow a policy of advancements in development. For this reason specifications may be changed without notice.

PARTS LIST

★ New parts
Parts without **Parts No.** are not supplied.
Les articles non mentionnes dans le **Parts No.** ne sont pas fournis.
Teile ohne **Parts No.** werden nicht geliefert.

Ref No.	New Parts	Parts No.	Description
①		E30-1182-08	CORD SET
		N99-1045-08	SCREW SET
		T07-0133-08	SPEAKER

Q.C.
COPY